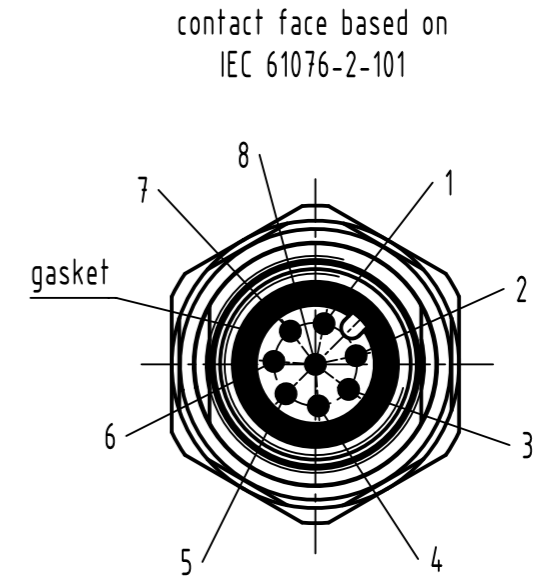
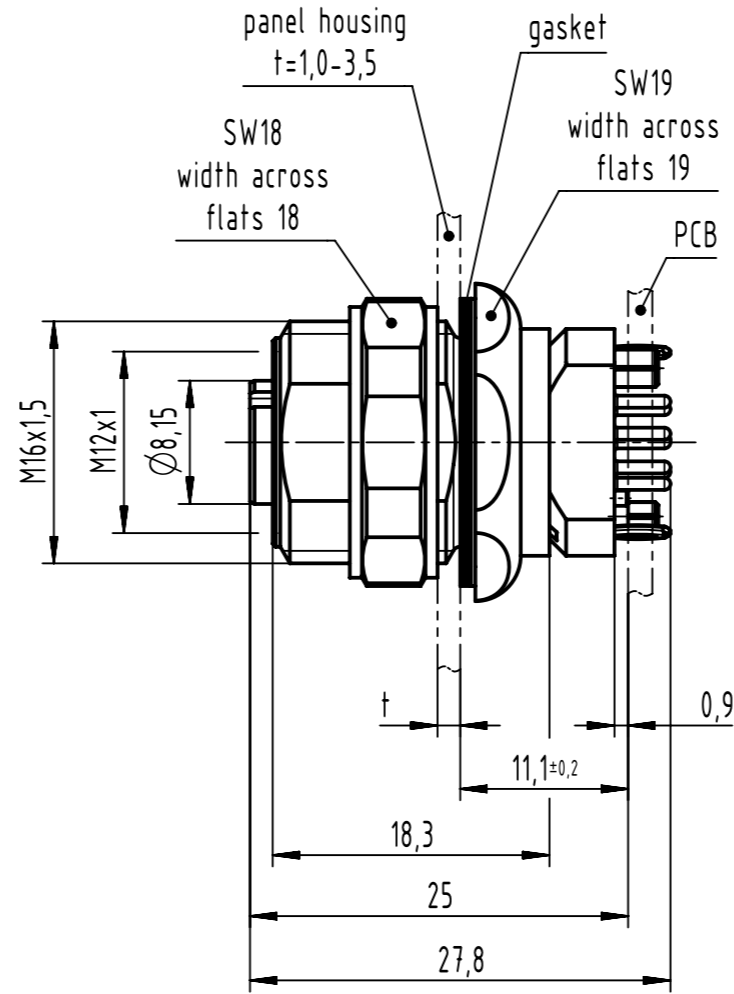
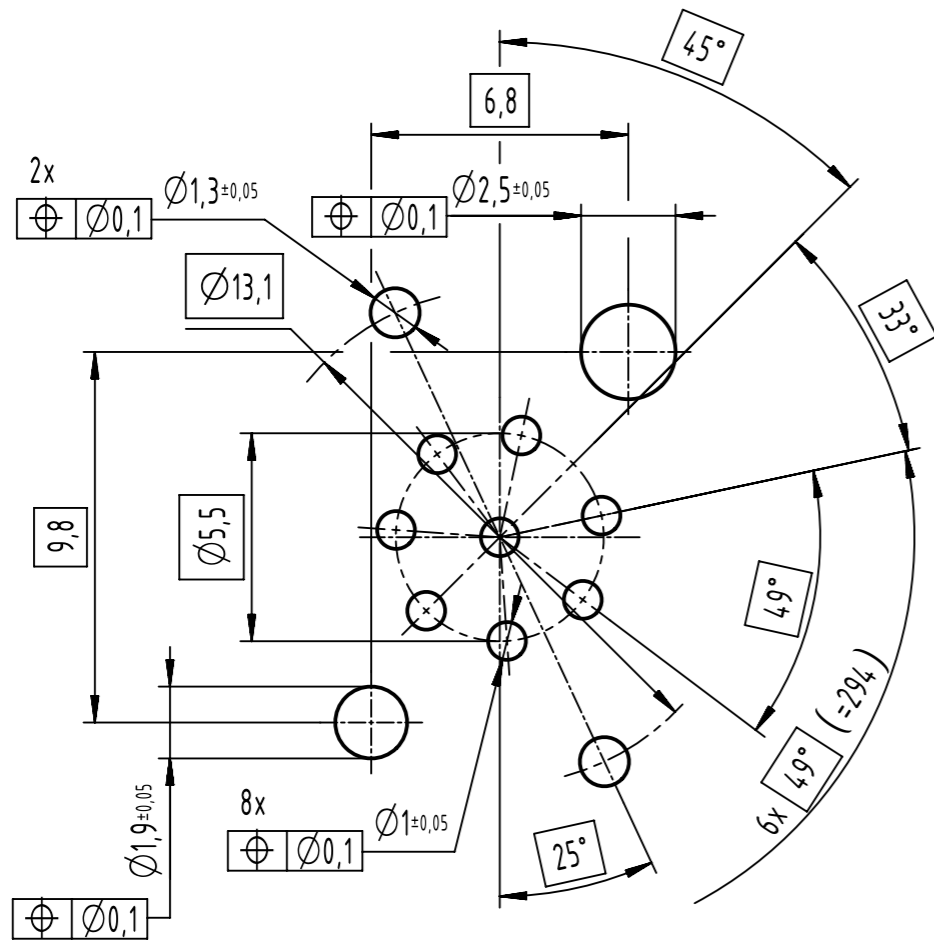
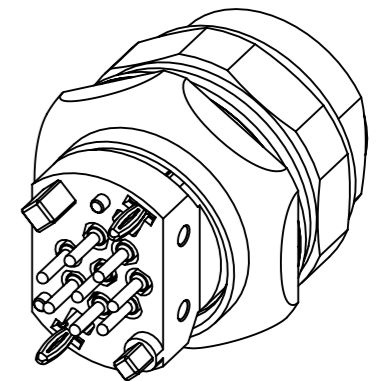
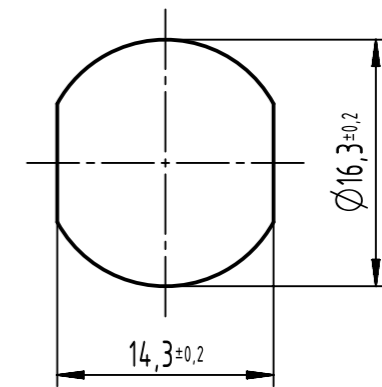


recommended PCB-layout  
A (5:1)



panel cut out



- 1 pcs. single package

	All Dimensions in mm Original Size DIN A3		Scale 2:1	Free size tol.		Ref.
	All rights reserved Department EL PD		Created by HASSE	Inspected by 104122	Standardisation SAP_WFRT	Date 2021-10-22
HARTING D-32339 Espelkamp		Title M12-PCB-THR-2PC-8P-ACOD-F-STR			Doc-Key / ECM-Nr. 100567758/UGD/000/C 50000204328	
		Type TB	Number 21033212830		Rev. C	Page 1/1